



C120 Chipper

Safety, Operations & Maintenance Instructions

INTRODUCTION

This manual contains information concerned with safe practices when operating the machine, safety precautions that are necessary during operation, maintenance instructions and troubleshooting.

Before operating the machine it is imperative to have read and understood this manual. The instructions of this manual are intended to be read and followed to ensure the proper running of the C120 Chipper and the safety of the user.

In the case of sale or transfer of the machine, this manual must be handed over. In the event that this manual is damaged or lost, the owner must ask the manufacturer or the former owner for a copy. This manual is to be considered as an integral part of the machine.

The information conveyed on this manual are reflective of the machine at point of sale. The manufacturer has the right to modify the machine for technical or commercial reasons and this does not make the manual unsuitable for use.

The copyright for this manual belongs to the manufacturer. The technical texts, images and pictures within this manual cannot be published or used, completely or in part, without written consent from the manufacturer.

Contents

INFORMATION ABOUT THE MACHINE	4
INTENDED USE OF C120 CHIPPER	4
MACHINE DESCRIPTION	4
IDENTIFICATION OF MAIN PARTS	5
SPECIFICATIONS	6
SAFETY PRECAUTIONS	7
ACCIDENT PREVENTION MEASURES	7
SAFETY LABELS AND DESCRIPTIONS	8
AFTER A PERIOD OF INACTIVITY	8
OPERATING INSTRUCTIONS	9
BEFORE USE	9
DURING OPERATION	9
IF THE MACHINE GETS BLOCKED	10
AFTER USE	10
GENERAL MAINTENANCE	11
ADJUSTMENT OR REPLACEMENT OF THE CHIPPER BLADES	11
ADJUSTING BELT TENSION	13
TYRE PRESSURE	13
STORAGE	14
CLEANING	14
PARTS LIST	15
WARRANTY POLICY	16
TROUBLESHOOTING	16
MACHINE MAINTENANCE SCHEDULE	17
NOTES	17

INFORMATION ABOUT THE MACHINE

INTENDED USE OF C120 CHIPPER

The Truyard C120 Chipper is designed to chip most branches and prunings alongside other organic material such as palm and shrubs. It is not designed to process inorganic waste.

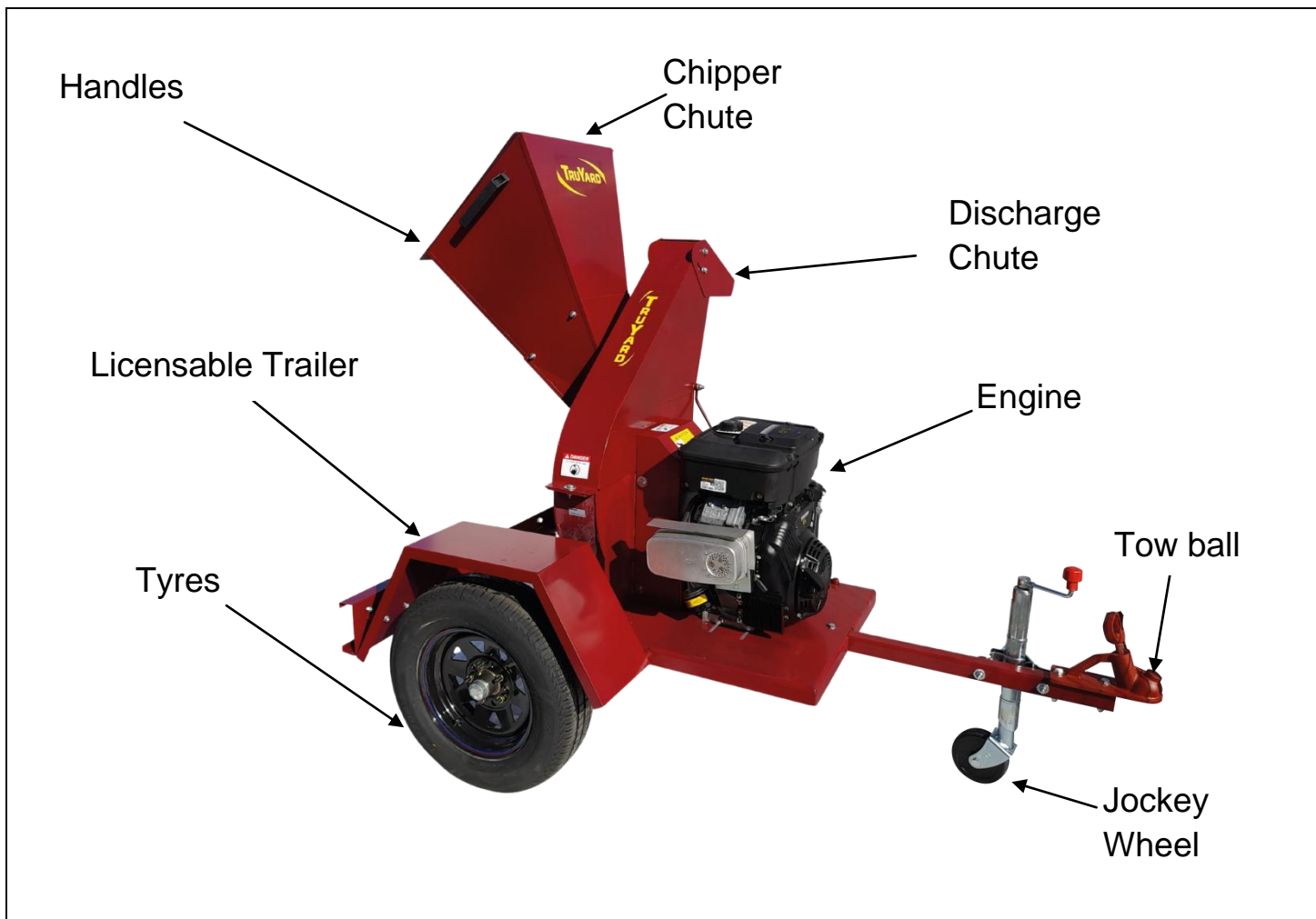
MACHINE DESCRIPTION

The Truyard C120 Chipper's chipping mechanism consists of a flywheel with two mounted blades. As the flywheel rotates at a high speed, the blades chip the incoming material.

The C120 Chipper consists of the following features:

- A pair of standard road tyres
- A chipper chute to guide the material to the blades
- A flywheel with two chipper blades
- An engine
- A discharge chute to distribute the chippings
- A pair of handles
- A frame with a stand or an optional towbar attachment with a jockey wheel
- A tow ball
- A Jockey wheel
- A licensable road trailer

IDENTIFICATION OF MAIN PARTS



Flywheel

(Disconnect the spark plug and ensure flywheel is at a complete stop before opening the discharge chute)

SPECIFICATIONS

Engine Specifications		General Dimensions and Weight	
Engine	Briggs & Stratton 21hp	Weight	190kg Non Road 260kg Road Towable
Engine Type	Petrol	Inlet Opening Size	150mm x 185mm
Disk Cutting System		Discharge Height	1550mm
Chipper Disk Diameter	565mm	Housing Thickness	5mm
Chipper Disk Thickness	20mm	Belt Drive	2 x B30 v-belt
Chipper Shaft Diameter	380mm	Adjustable Anvil	Yes
Drive Speed	3600rpm	Feed System	
Chipping Capacity	Up to 120mm	Self Feeding	Yes
Blade Size	180 x 100 x 10mm	Special Features	
Number of Blades	2	Warranty	Domestic Application 2 years, Commercial Application 3 Months
No Load Starting Clutch	Yes		

SAFETY PRECAUTIONS

ACCIDENT PREVENTION MEASURES



STRICT ADHERANCE TO THE FOLLOWING RULES, PRECAUTIONS AND SAFETY MEASURES LISTED HERE MUST BE CONDUCTED TO AVOID THE DANGER OF ACCIDENT AND DAMAGE TO PEOPLE AND THE MACHINE.

- 1) Ensure that the operator of the machine has read and understood fully this manual and the engine manual
- 2) Always wear suitable footwear. Do not use in bare feet
- 3) Always stop the engine and disconnect the sparkplugs when guards are not in place
- 4) Check that the items to be chipped are free of all foreign debris. This includes and is not limited to nails, wire, rope etc
- 5) Do not allow children to come near the C120 Chipper. Always ensure that children are at a safe distance and are well away from the machine
- 6) Do not put hands whatsoever inside the machine or near the belt or blade while the machine is running
- 7) Read the engine manufactures operating instructions carefully. Do not alter governor settings or over speed the engine
- 8) Carefully follow the refuelling safety instructions when refuelling the engine:
 - Always refuel the C120 outdoors in a well ventilated area
 - Ensure the engine is turned off and cooled before beginning refuelling process.
 - Keep all ignition and heat sources clear of the refuelling area.
 - If spillage occurs mop up immediately and wait a suitable time so the fumes disappear
 - When storing fuel make sure it is in a suitably designed container (AS/NZS 2906:2001) and it is stored in a cool dry place.
- 9) Use your C120 Chipper only in daylight when visibility is good
- 10) When using the C120 Chipper slopes should be treated with caution. Never place the C120 Chipper on uneven ground
- 11) Never leave the C120 Chipper unattended whilst engine is running
- 12) Do not use C120 Chipper in confined spaces with no ventilation
- 13) It is advisable to wear safety glasses and hearing protection whilst operating the C120 Chipper
- 14) Always operate with all guards in place

SAFETY LABELS AND DESCRIPTIONS

 <p>CAUTION</p> <p>KEEP HANDS AND FEET OUT OF INLET AND DISCHARGE OPENINGS WHILE MACHINE IS OPERATING TO AVOID SERIOUS INJURY. STOP AND ALLOW MACHINE TO COME TO A COMPLETE STOP BEFORE CLEARING OBSTRUCTIONS.</p>	<p>CAUTION – keep hands and feet away from the discharge and inlet openings on the machine as this could cause injury</p>
 <p>Thai Honda Mfg. Co., Ltd. MADE IN THAILAND</p>	<p>CAUTION – the operating of the engine, its maintenance and starting must be done after having read the manual to prevent any harmful incidents and misuse of the engine from occurring</p>
 <p>WARNING</p> <p>Read & Understand operators manual before using this machine.</p> <p>Failure to follow operating instructions could result in serious injury.</p>	<p>CAUTION – ensure that the operator has read and understood this manual before operating the machine to prevent injury</p>
 <p>DANGER</p> <p>KEEP HANDS AND FEET AWAY</p>	<p>CAUTION – keep hands and feet away from openings on the machine to prevent injury</p>

AFTER A PERIOD OF INACTIVITY

Ensure the following checks have been done on the C120 before operation after a long period of inactivity:

- Check that the machine is undamaged and all guards are attached
- Check all the mechanical parts of the machine are not rusty and are in working condition
- Ensure the flywheel and the blades rotate freely, are sharp and are connected to the machine
- Ensure that the engine has sufficient oil and fuel
- Check all nuts and bolts are tight

OPERATING INSTRUCTIONS

BEFORE USE

Before operating the machine it is important to ensure the following to use the machine to its full capability and to keep the operator and the surrounding area safe.

- Make sure that the operator has read and understood how to use the engine as per the manufacturer's instructions
- Ensure that the oil and fuel in the engine are as per the engine manufacturers instructions
- Check that all guards and parts are in place
- Make sure the throttle control is at its lowest setting. At idle the centrifugal clutch should be disengaged
- Ensure that the C120 is located on flat, even ground and that there are no people or animals in the vicinity of its working function, including the area surrounding the discharge chute
- Ensure that the operator has read and understood this manual, including how to control the machine
- Wear the prescribed safety equipment
- Check that the material to go through the C120 does not contain nails, ropes or any metal object that can damage the machine whilst it is being chipped

DURING OPERATION

Once satisfied that the above criteria have been met, turn on the engine as per the manufactures instructions. Once running:

- Gently increase the throttle until the clutch engages and the blades rotate. Operate the C120 Chipper at near full throttle for optimal performance
- For the C120 Chipper all branches go through the chipper chute. It is best if the thickest end of the branch gets fed into the chipper chute first; generally this is the end that you cut the branch at. Sometimes it may be required to prune the side branches to fit the main branch into the chipper chute. Ensure this is done before you start chipping. The C120 generally will draw the branches in and on no occasion do you need to put your hand inside the chipper chute.
- The discharge chute can be angled to disperse the chippings to where you want them to go. Attached to the discharge chute is a nyloc nut that can be loosened to adjust the angle of the chute. Once the desired angle is reached, re-tighten this nut and bolt. Only adjust the machine once the flywheel has stopped rotating and come to a complete stop and the spark plug lead has been removed.

IF THE MACHINE GETS BLOCKED

During operation it is possible that a branch or pruning with a diameter higher than the working capacity of the machine is entered, and blocks the rotation of the flywheel.

To remove the blockage, ensure that the machine has been turned off, the spark plug has been disconnected and that the flywheel has no power supply that will make it rotate while the material is being removed. Once the blockage has been taken out, the machine can be re-started.

AFTER USE

When you have finished operation of the machine and have turned the engine off:

- Allow machine to cool down
- Check the machine over to see if there are any irregularities that could impede your next use
- Check fuel and oil levels for next use

GENERAL MAINTENANCE

For the servicing of the machine it is strongly recommended, for safety and quality of the maintenance, for this to be conducted by authorised professionals from Truyard authorised dealers who know the machine.

ADJUSTMENT OR REPLACEMENT OF THE CHIPPER BLADES



Disconnect the spark plug to ensure that the machine will not receive power whilst you are working on the flywheel



Open the discharge chute and place a bar between one of the flaps of the flywheel and the frame of the machine as shown. Ensure that the flywheel doesn't rotate when this bar is in place by pulling the engine cord.



Using a 19mm spanner, loosen the nut and bolt that connects the chipper blade to the flywheel.

CAUTION – THE CHIPPER BLADE IS SHARP AND CAN CAUSE INJURY



In order to fully remove the nut and bolt, use an 8mm Allen key to counter the force from the spanner. Remove the nuts and bolts from the chipper blade. Once all three have been removed, take out the chipper blade.

CAUTION – THE CHIPPER BLADE IS SHARP AND CAN CAUSE INJURY

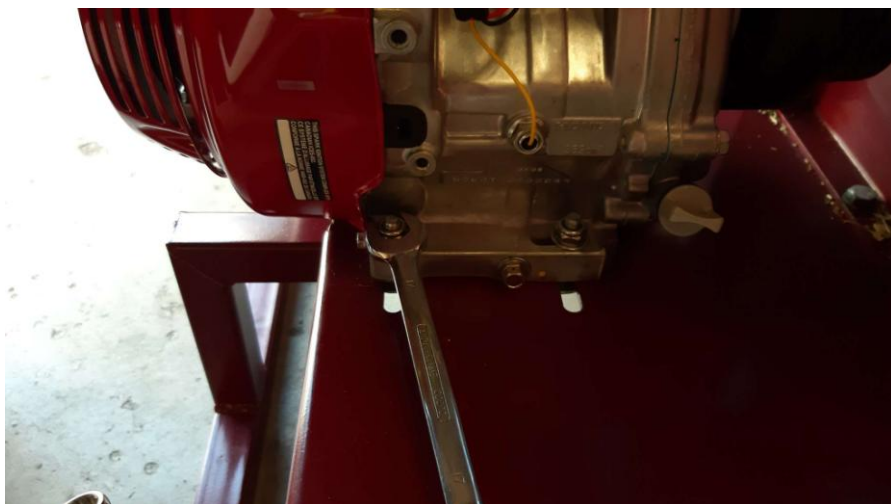


When retightening the nut and bolt, the rotation of the spanner will force the flywheel the opposite direction. Use the Allen key against the frame of the machine as pictured to prevent the flywheel from rotating whilst the nut is being tightened.

ADJUSTING BELT TENSION



Remove the protective cover that sits over the belts with a 13mm socket.



Using a 17mm spanner, loosen the nuts that connect the engine to the frame of the machine. Once all four have been loosened, slide the engine on the rails to increase the belt tension. Retighten the nuts and ensure that the engine is secure.

NOTE: WHEN ADJUSTING THE BELT, THE FLYWHEEL SHOULD TURN WITHOUT TURNING THE MOTOR. DO NOT OVERTIGHTEN.

TYRE PRESSURE

The maximum tyre pressure for the pneumatic tyres is 18psi. Over inflation of the tyre can cause injury.

STORAGE

In the case that the C120 Chipper will not be used for an extended period, it is important to store the machine in a location that is sheltered from the weather to avoid damages to the machine.

The storage temperate recommended is between 0°C and 50°C.

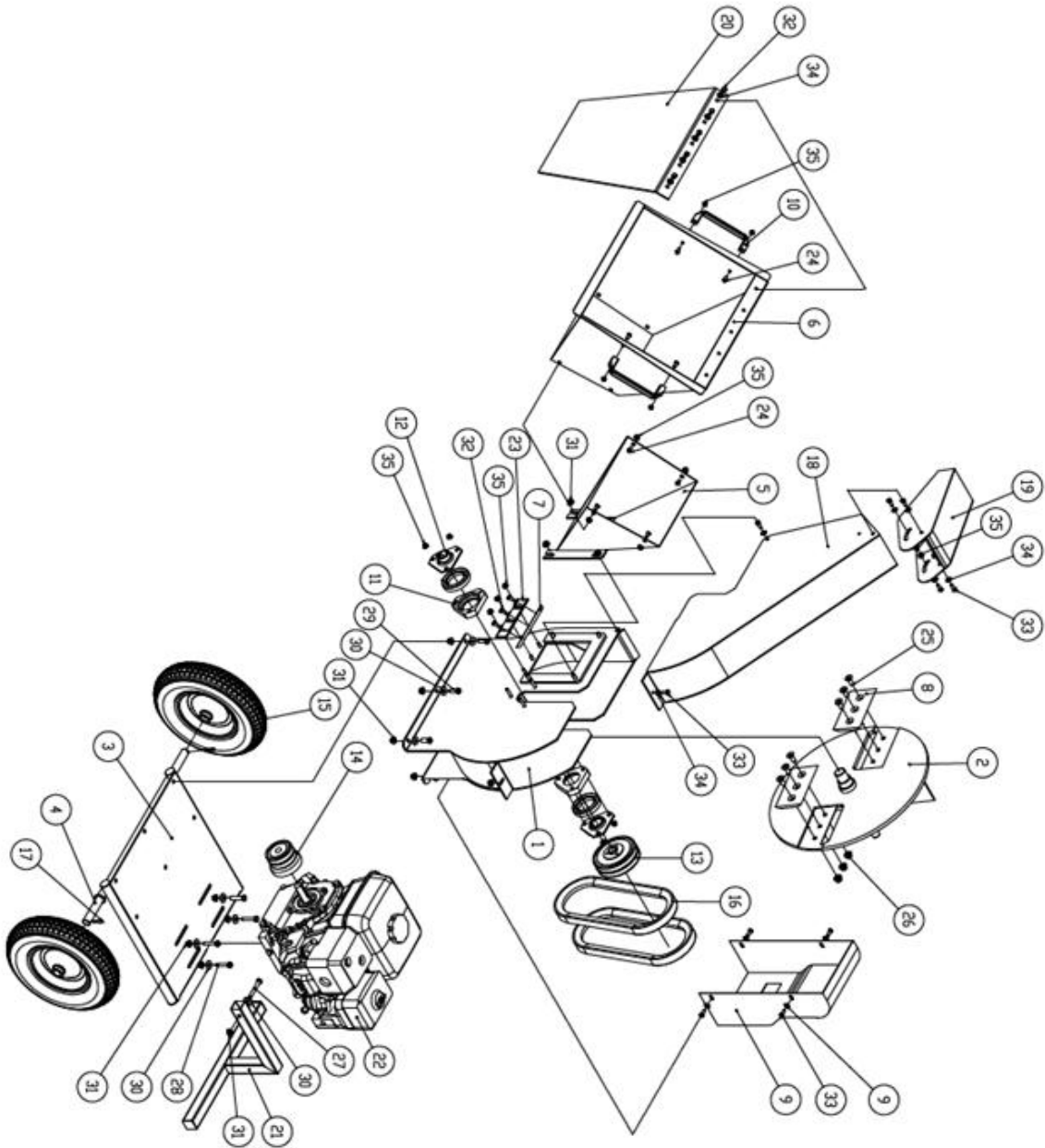
Before this period in storage, it is recommended to:

- Properly clean the machine
- Carefully free the flywheel from any remains of chipped wood
- Ensure that the area in which the machine is to be stored is sheltered and the ground surface is flat and compact
- Perform a check of the machine to detect possible damages or irregularities and to ensure that the safety labels are undamaged and clearly visible

CLEANING

Regularly clean the machine using only compressed air, blowing away wood dust and green waste residue. For this operation ensure that you wear protective gloves and eyewear.

PARTS LIST



ITEM NO.	PART NUMBER	DESCRIPTION	QTY.
1	1201005	Body	1
2	1201001	Flywheel	1
3	1201004	Engine Plate	1
4	1201004-3	Axle	1
5	1201009	Chipper Chute Bottom	1
6	1201010	Chipper Chute Top	1
7	1201008	Anvil	1
8	1201002	Chipper Blade	2
9	1201003	Belt Guard	1
10	1901720	Handle	2
11	1201012	Seal Housing	2
12	1901504	Bearing	2
13	1901618	Pulley	2
14	1901693	Clutch Pulley	1
15	1901012	Wheel	2
16	1901602	Belt	2
17	1901410	R-Clip	2
18	1201006	Discharge	1
19	1201007	Discharge Cover	1
20	1908479	Rubber Guard	1
21	1201011	Stand	1
22		Engine	1
23	1201005-5	Anvil Bracket	1
24	1901159	Bolt M8x20 SUS304	8
25	1901133	Screw M12x40 Flat Skt	6
26	1901211	Nut M12	6
27	1901122	Bolt M10x50	1
28	1901119	Bolt M10x45	4
29	1901115	Bolt M10x25	6
30	1901310	Washer M10	15
31	1901210	Nut M10x1.5	15
32	1901105	Bolt M8x15	26
33	1901108	Bolt M8x30	11
34	1901300	Washer M8	20
35	1901230	Nut M8	19

WARRANTY POLICY

Under the warranty your C120 Chipper is warranted for 2 year from the date of purchase against mechanical defects, faulty workmanship or material. 90 days for commercial use. This warranty covers only the replacement, repair or adjustment of any part which fails as a result of a fault in manufacture or assembly. Defective parts will be repaired or replaced without charge for labour or materials subject to the conditions detailed below.

Warranty Exclusions, Limitations and Rights:

- 1) Any failure that results from accident, abuse or neglect is not covered by this warranty
- 2) Transport of the C120 Chipper to and from the manufacturer, their agents or dealers, to be paid for by the owner
- 3) Proof of purchase date must be provided prior to the commencement of the warranty work
- 4) Any failure of parts or material that is contributable to fair wear
- 5) Any indirect or consequential loss, damage, costs or expenses suffered by the consumer that may result either directly or indirectly from the failure or malfunction of the product
- 6) Any repairs carried out other than those by authorised Truyard agents or dealers cancel this warranty
- 7) Engine warranty is separate and is in accordance with the Engine manufacturers express warranty

TROUBLESHOOTING

ISSUE	CAUSE	SOLUTION
Irregular Chipping	<ul style="list-style-type: none">• Worn or damaged blades• Anvil not adjusted• Loose belts	<ul style="list-style-type: none">• Change blades or rotate them around 180°• Adjust to within 1-2mm of chipper blade• Adjust the belts to the correct tension
Excessive noise	<ul style="list-style-type: none">• Over tightened belts• Bearing	<ul style="list-style-type: none">• Loosen and inspect belt damage in case they need to be replaced• Replace the bearing
Motor starts but mulcher doesn't	<ul style="list-style-type: none">• Blockage in the flywheel	<ul style="list-style-type: none">• Remove the spark plug and make sure the flywheel is at a complete stop. Open the discharge chute and take out the blockage carefully. Test spinning the flywheel a full 360° to ensure that there aren't more blockages. Be careful of the blades.

Note: Truyard has available spare parts for the machine if a replacement is necessary

